

The image features a white background with a subtle wood grain texture. In the four corners, there are clusters of vibrant green, lobed leaves, possibly from a Ficus plant, which frame the central text.

B **WOOD** BlocX

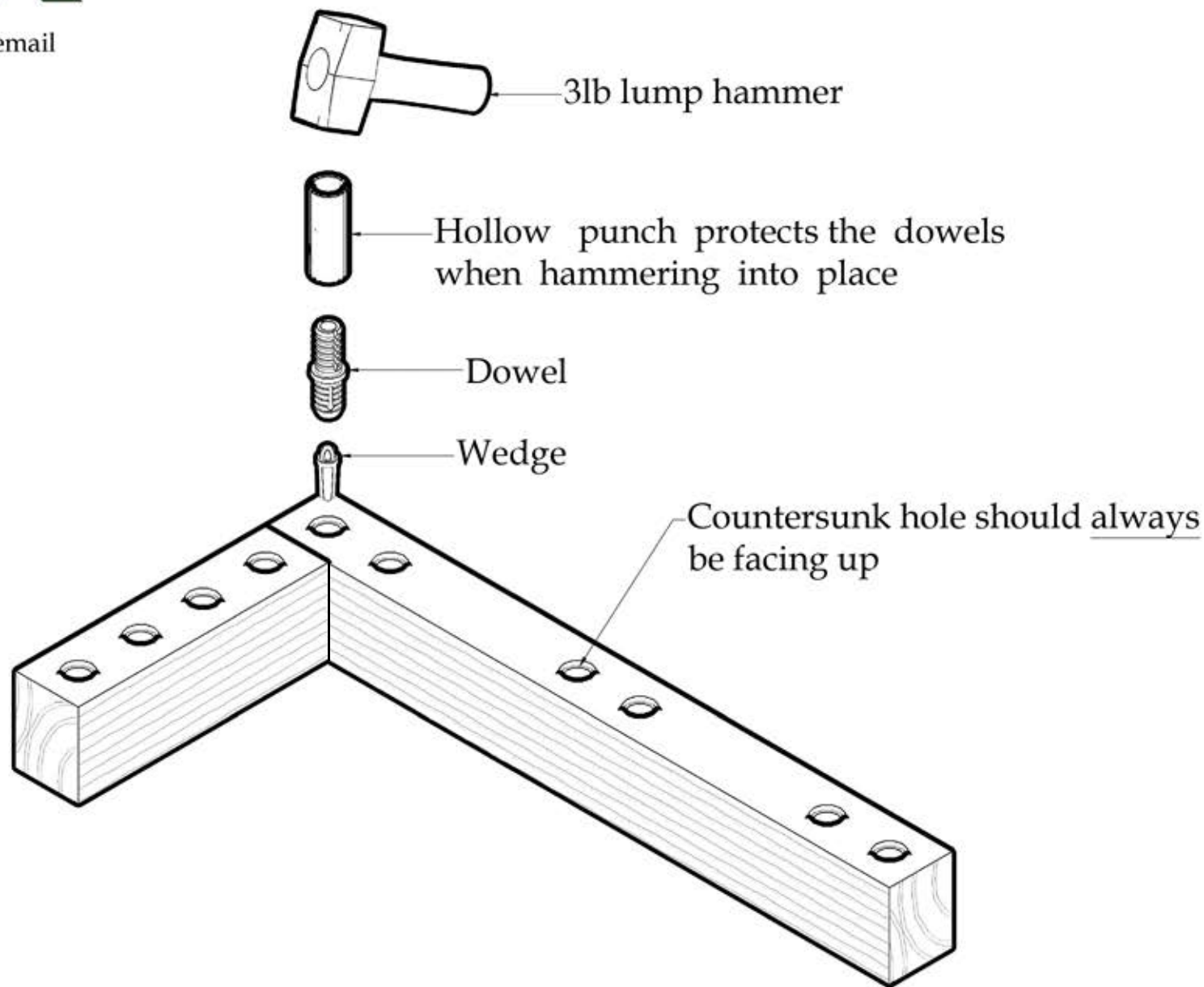
Customer Instructions

Please contact us on 0800 3891420 if you require any further assistance.

www.WoodBlocX.co.uk

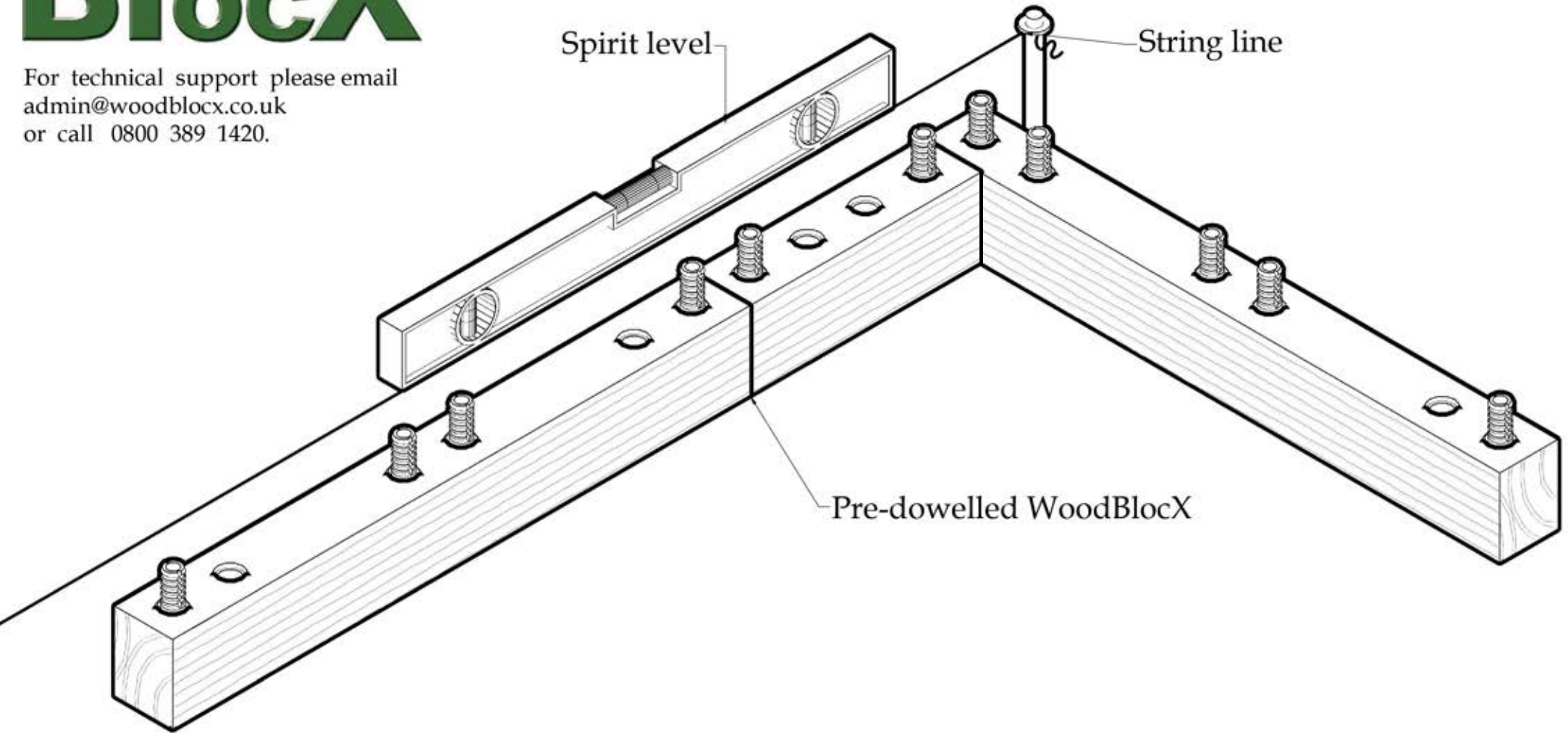
WOOD BlocX

For technical support please email
admin@woodblocx.co.uk
or call 0800 389 1420.



WOOD BlocX

For technical support please email
admin@woodblocx.co.uk
or call 0800 389 1420.

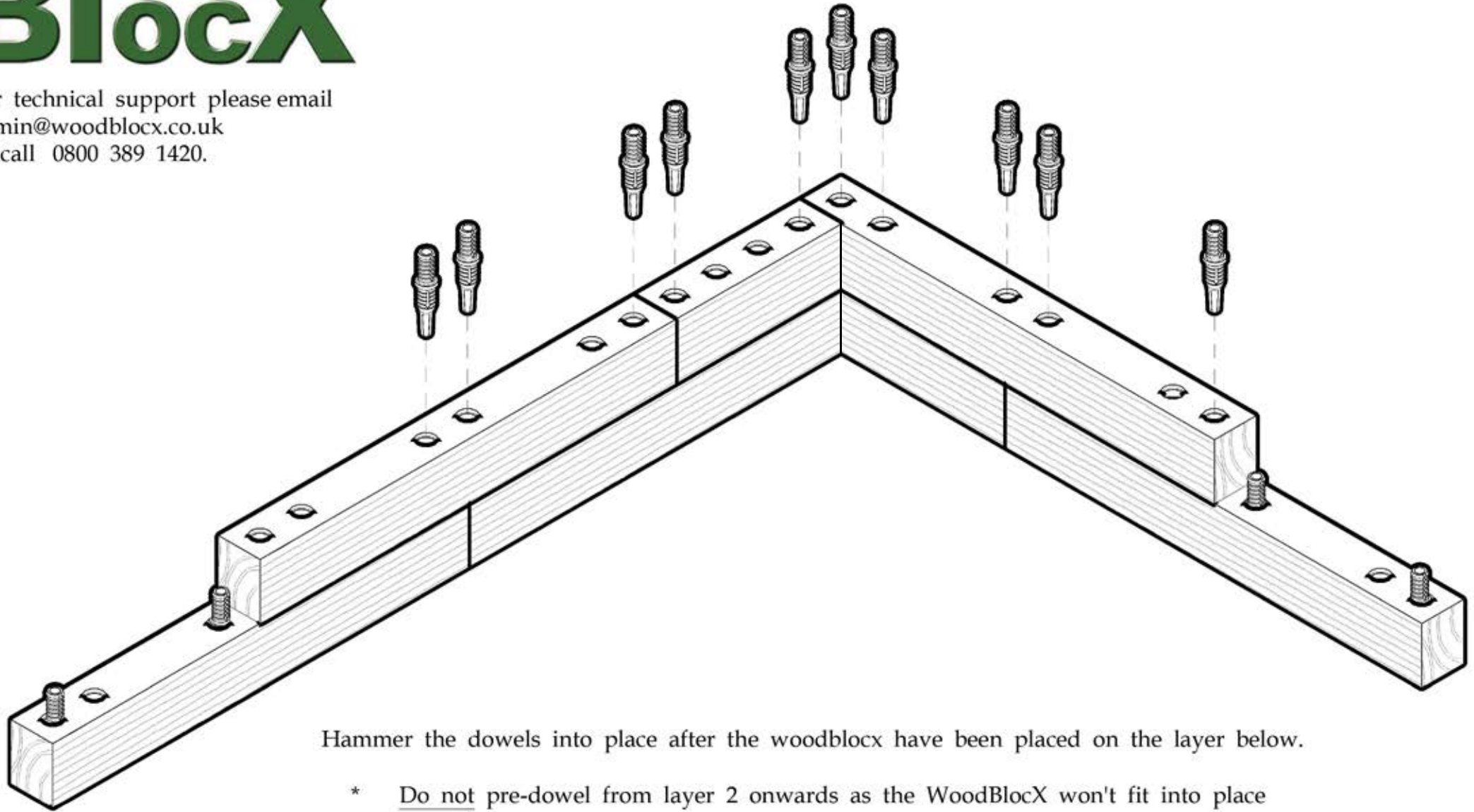


It is always easier to pre-dowel the first layer of WoodBlocX before placing them in situ. This will prevent you upsetting your levelled surface. We would recommend using 10-20mm of compacted sharp sand to help with the levelling process.

Remember if your first layer isn't levelled correctly your whole structure will be affected.

WOOD BlocX

For technical support please email
admin@woodblocx.co.uk
or call 0800 389 1420.

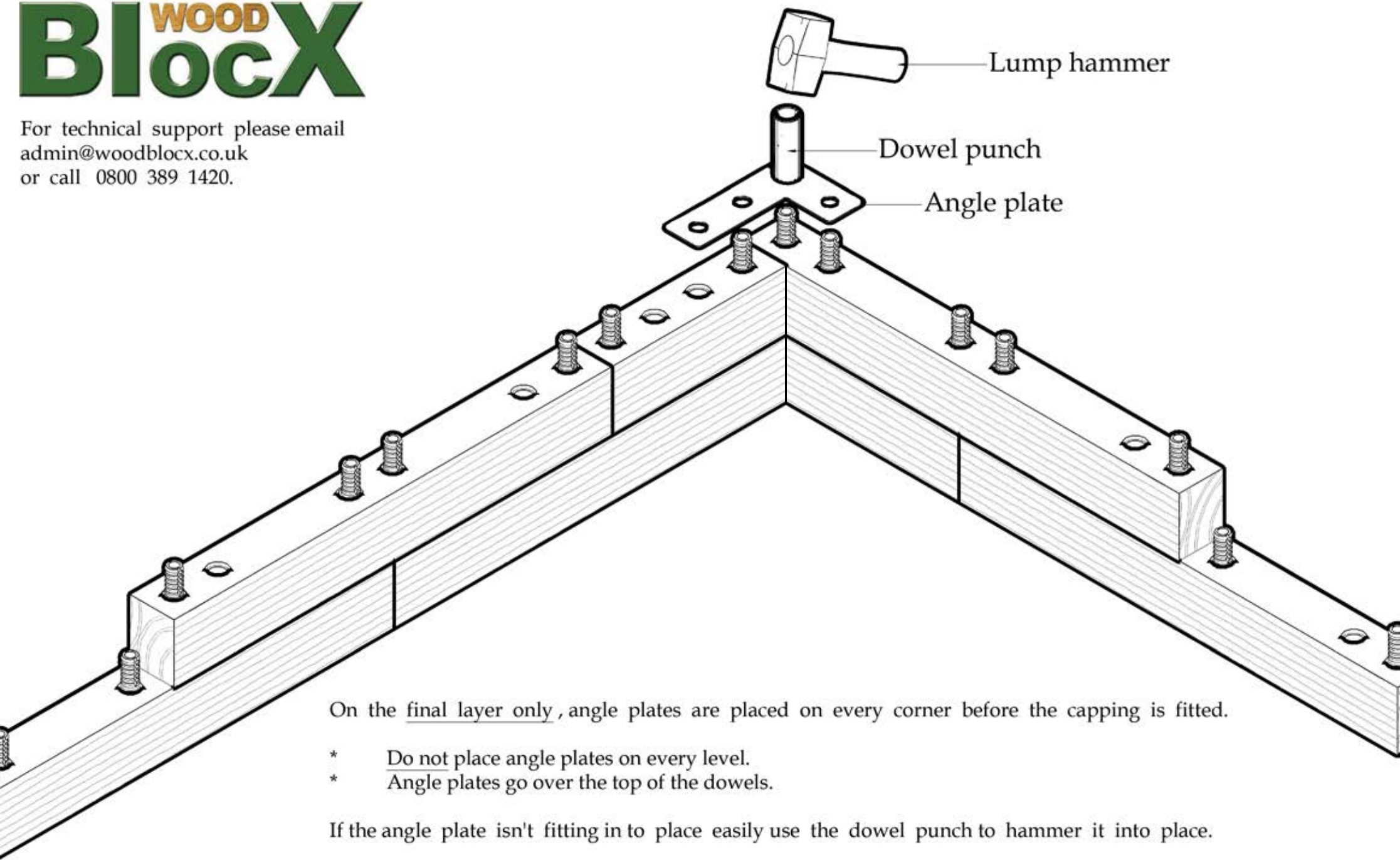


Hammer the dowels into place after the woodblocx have been placed on the layer below.

- * Do not pre-dowel from layer 2 onwards as the WoodBlocX won't fit into place correctly.

WOOD BlocX

For technical support please email
admin@woodblocx.co.uk
or call 0800 389 1420.



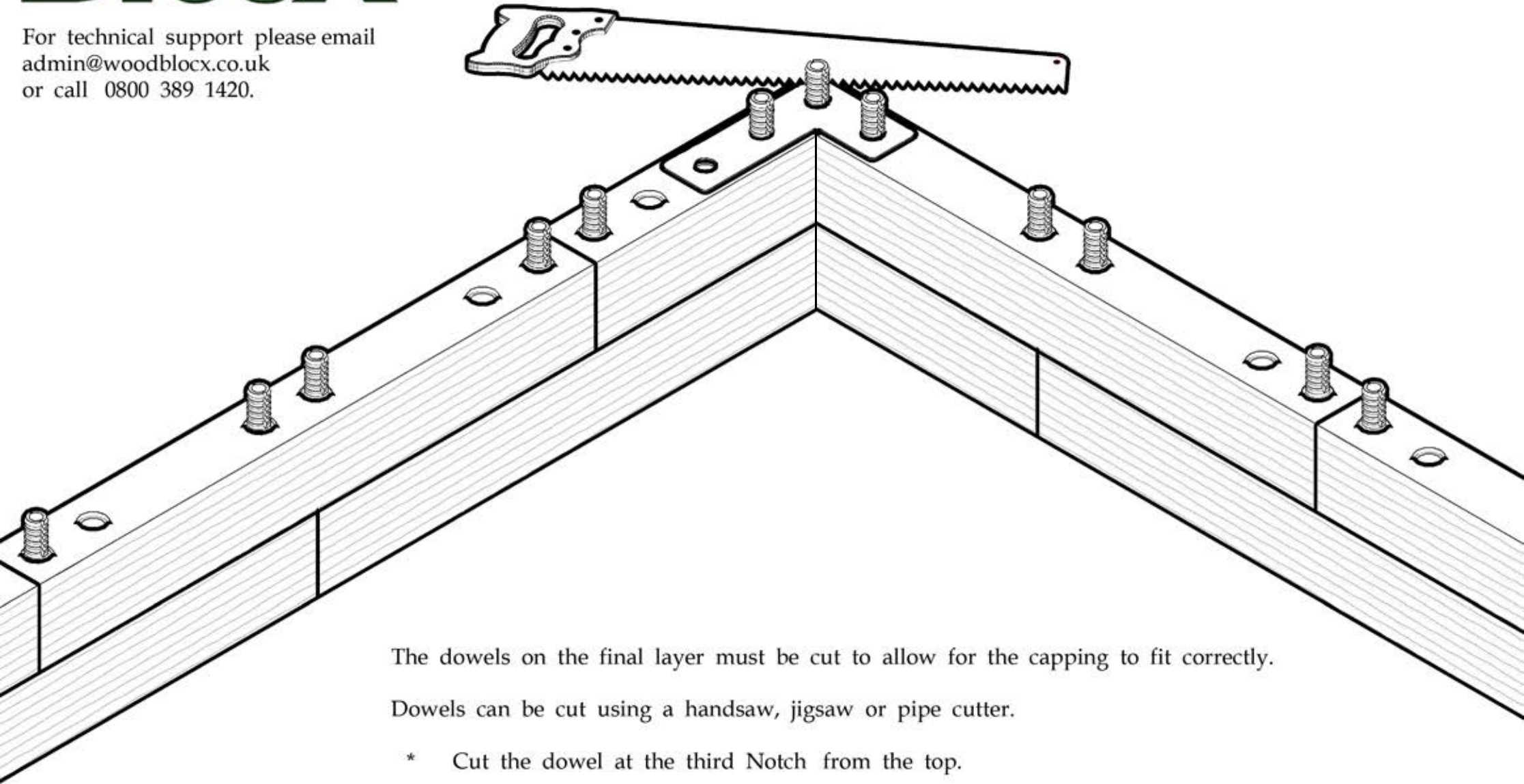
On the final layer only, angle plates are placed on every corner before the capping is fitted.

- * Do not place angle plates on every level.
- * Angle plates go over the top of the dowels.

If the angle plate isn't fitting in to place easily use the dowel punch to hammer it into place.

WOOD BlocX

For technical support please email
admin@woodblocx.co.uk
or call 0800 389 1420.



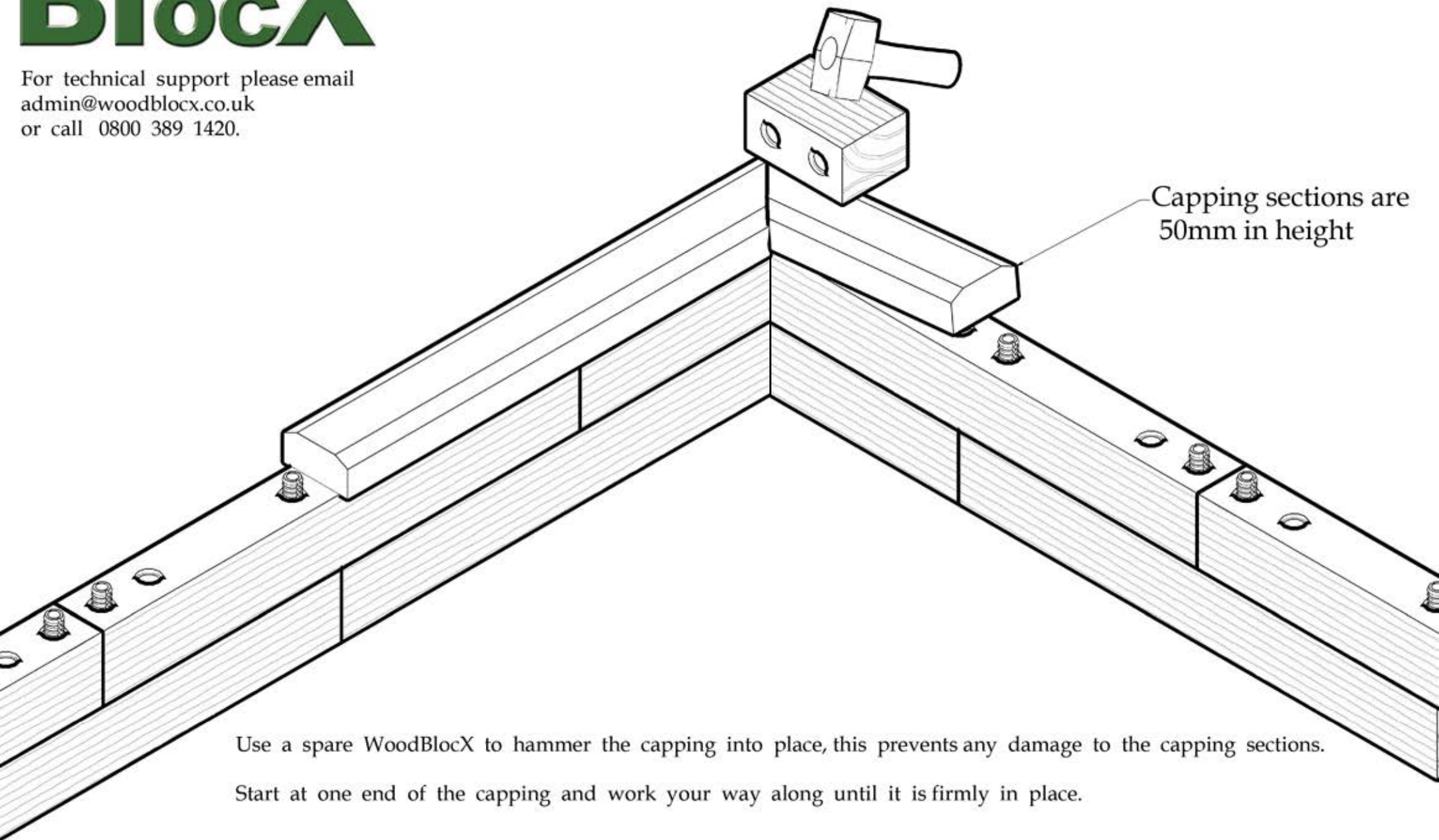
The dowels on the final layer must be cut to allow for the capping to fit correctly.

Dowels can be cut using a handsaw, jigsaw or pipe cutter.

- * Cut the dowel at the third Notch from the top.

WOOD BlocX

For technical support please email
admin@woodblocx.co.uk
or call 0800 389 1420.



Capping sections are
50mm in height

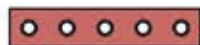
Use a spare WoodBlocX to hammer the capping into place, this prevents any damage to the capping sections.
Start at one end of the capping and work your way along until it is firmly in place.

WOOD BlocX

For technical support please email
admin@woodblocx.co.uk
or call 0800 389 1420.



BlocX 10 (L 750 x W 75 x H 100 mm)



BlocX 5 (L 375 x W 75 x H 100 mm)



BlocX 4 (L 300 x W 75 x H 100 mm)



BlocX 3 (L 225 x W 75 x H 100 mm)



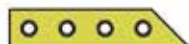
BlocX 2 (L 150 x W 75 x H 100 mm)



Angle BlocX 7° (L 155 x W 75 x H 100 mm)



Angle BlocX 15° (L 160 x W 75 x H 100 mm)



Angle BlocX 45° Long (L 353 x W 75 x H 100 mm)



Angle BlocX 45° Short (L 322 x W 75 x H 100 mm)