

---

CUSTOMER NAME

**BESPOKE**

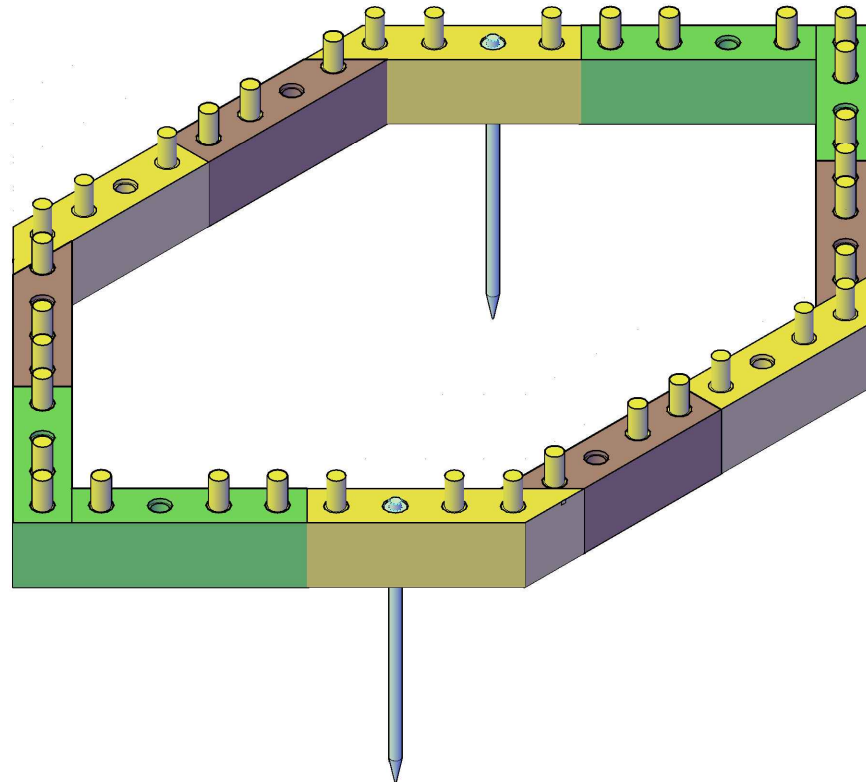
---

DRAWING TITLE

**COVER 3D**

---

DESIGN VERSION



---

CUSTOMER NAME

**BESPOKE**

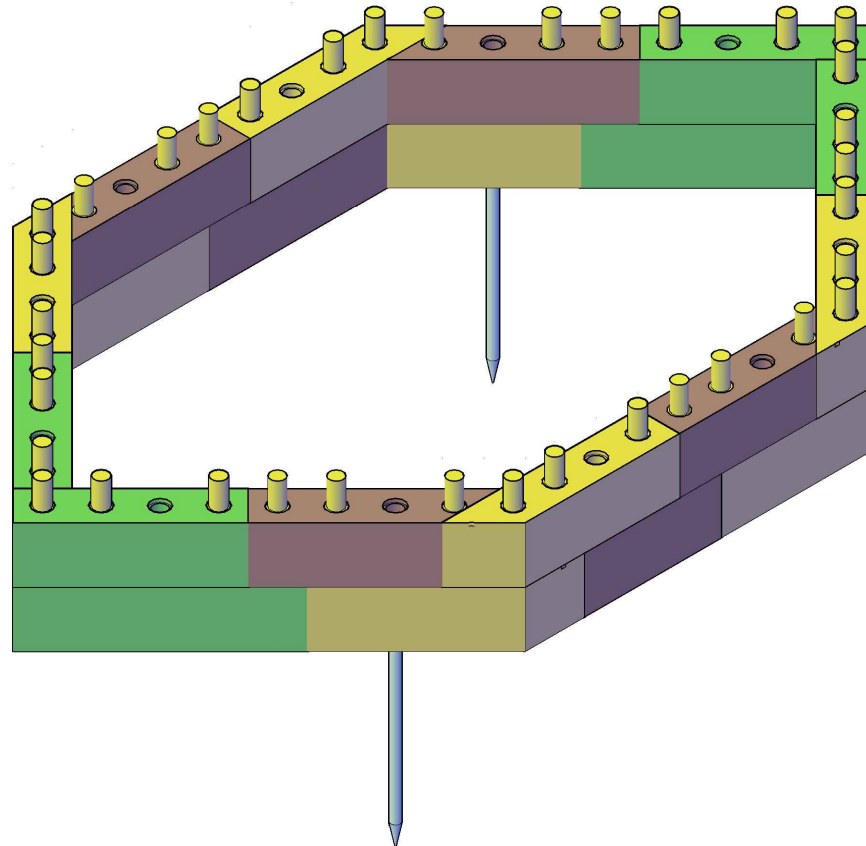
---

DRAWING TITLE

**LAYER1**

---

DESIGN VERSION



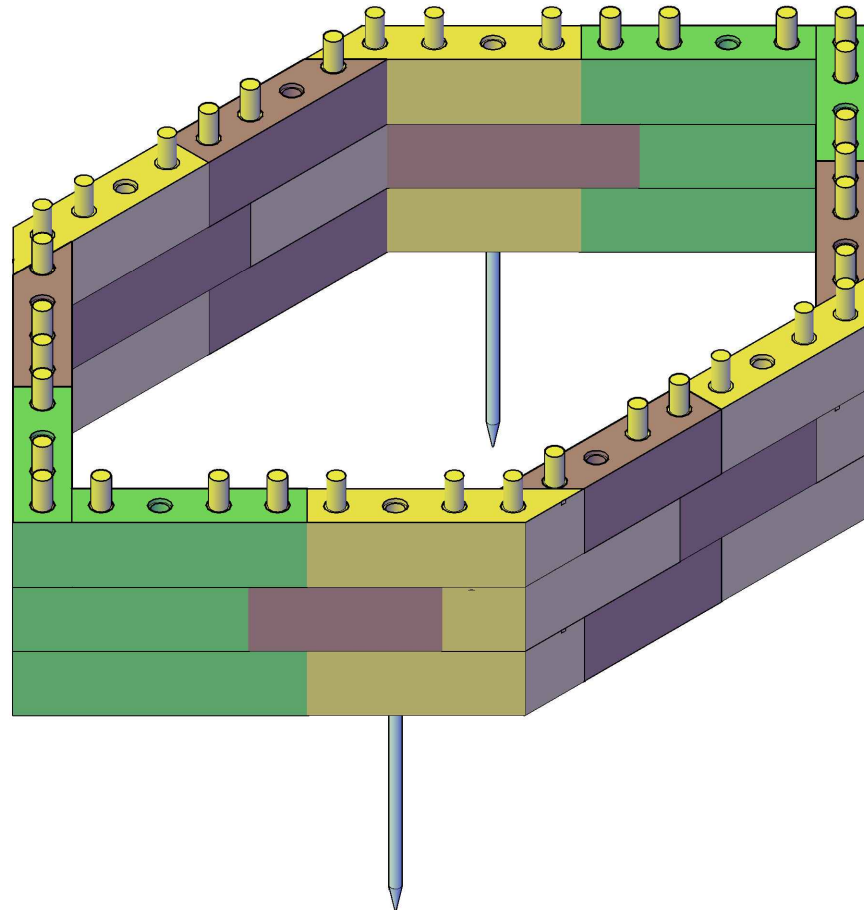
CUSTOMER NAME

**BESPOKE**

DRAWING TITLE

**LAYER2**

DESIGN VERSION



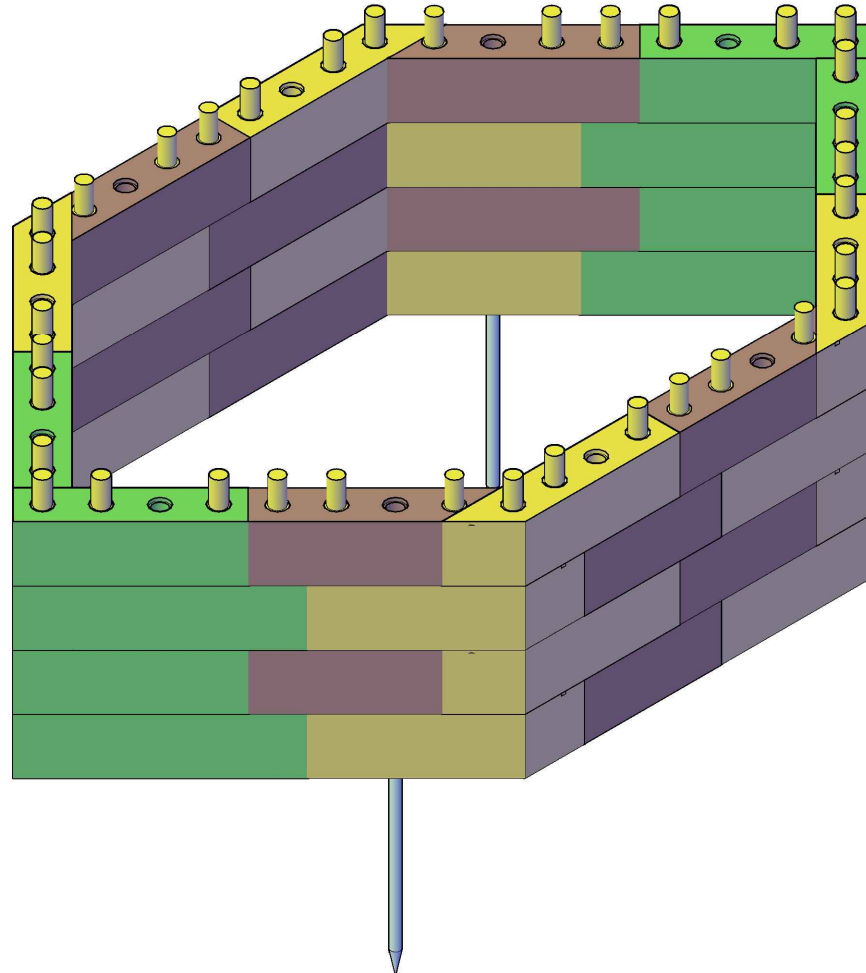
CUSTOMER NAME

**BESPOKE**

DRAWING TITLE

**LAYER 3**

DESIGN VERSION



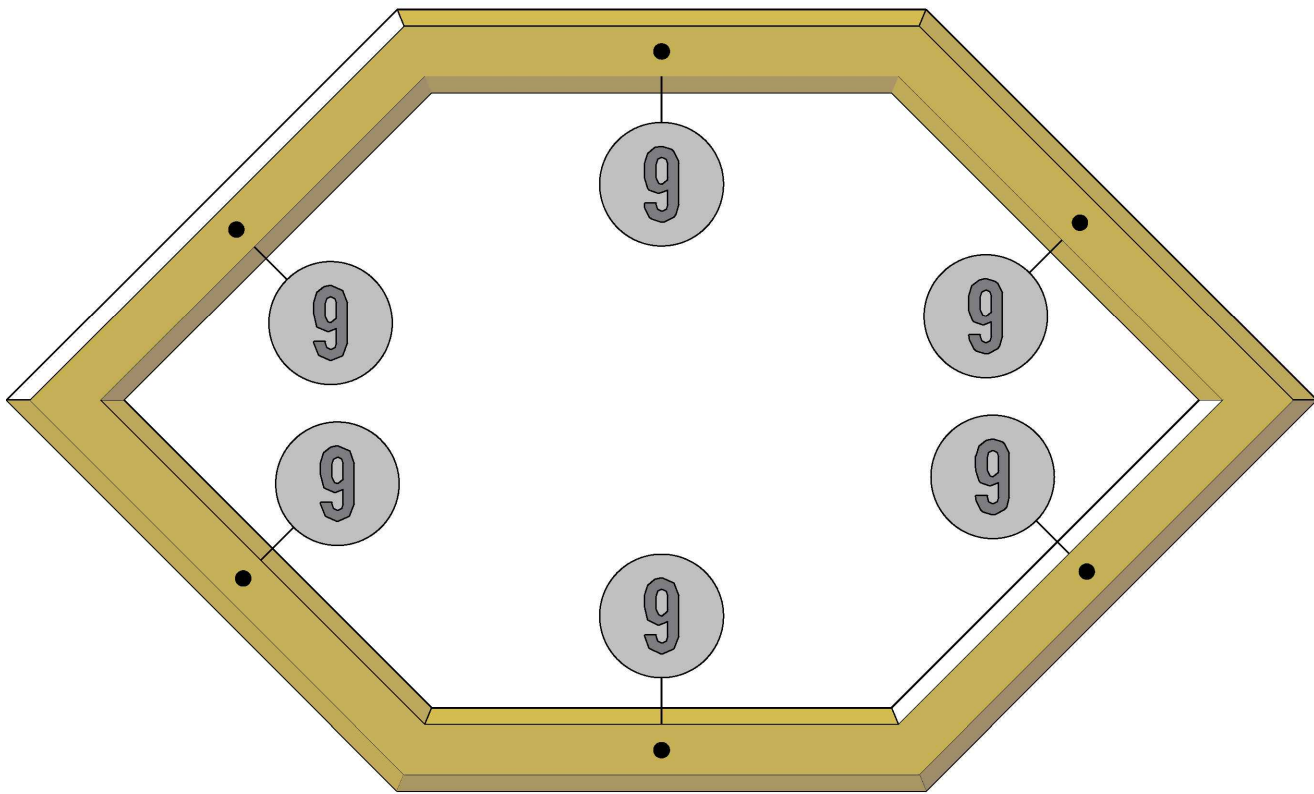
CUSTOMER NAME

**BESPOKE**

DRAWING TITLE

**LAYER 4**

DESIGN VERSION



CUSTOMER NAME

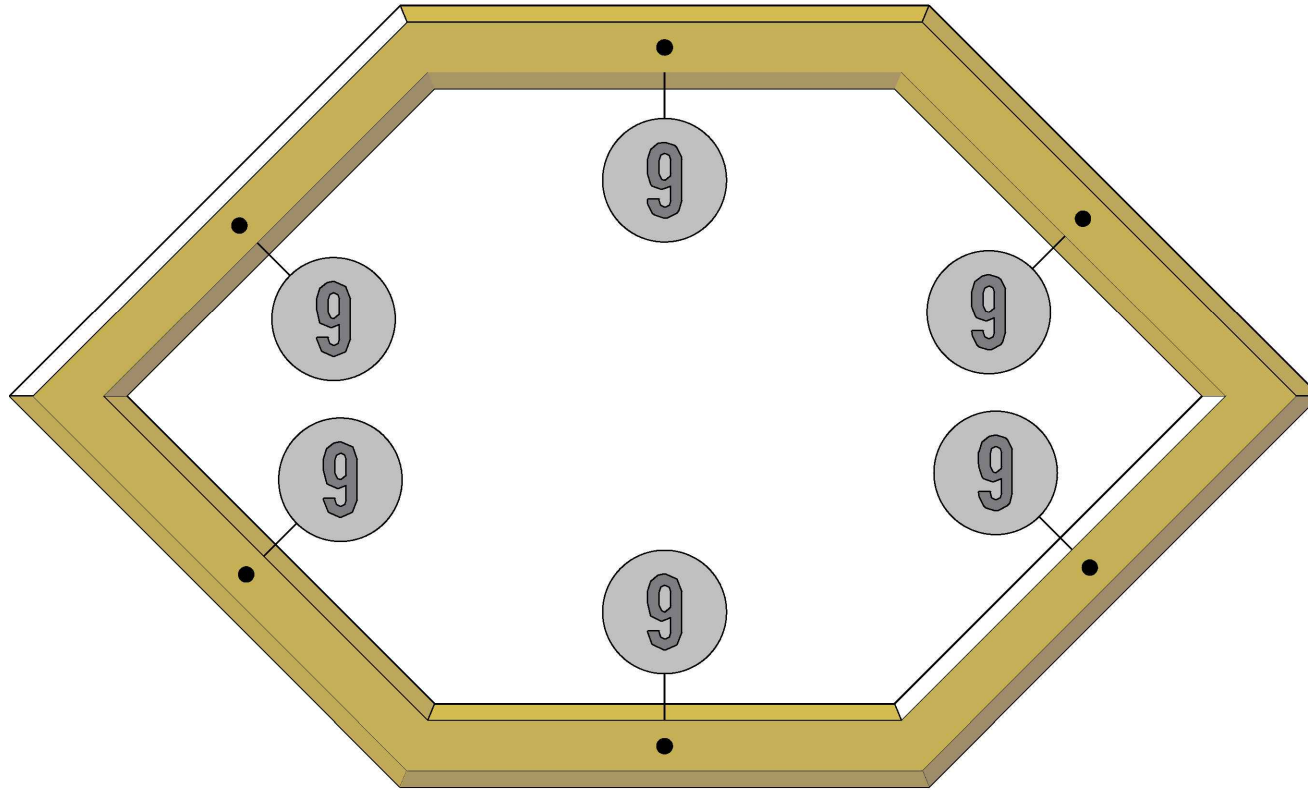
DRAWING TITLE

DESIGN VERSION

\*NUMBERS REPRESENT NUMBER OF HOLES INCAPPING

BESPOKE

CAPPINGPLAN



CUSTOMER NAME

DRAWING TITLE

DESIGN VERSION

\*NUMBERS REPRESENT NUMBER OF HOLES INCAPPING

BESPOKE

CAPPINGPLAN