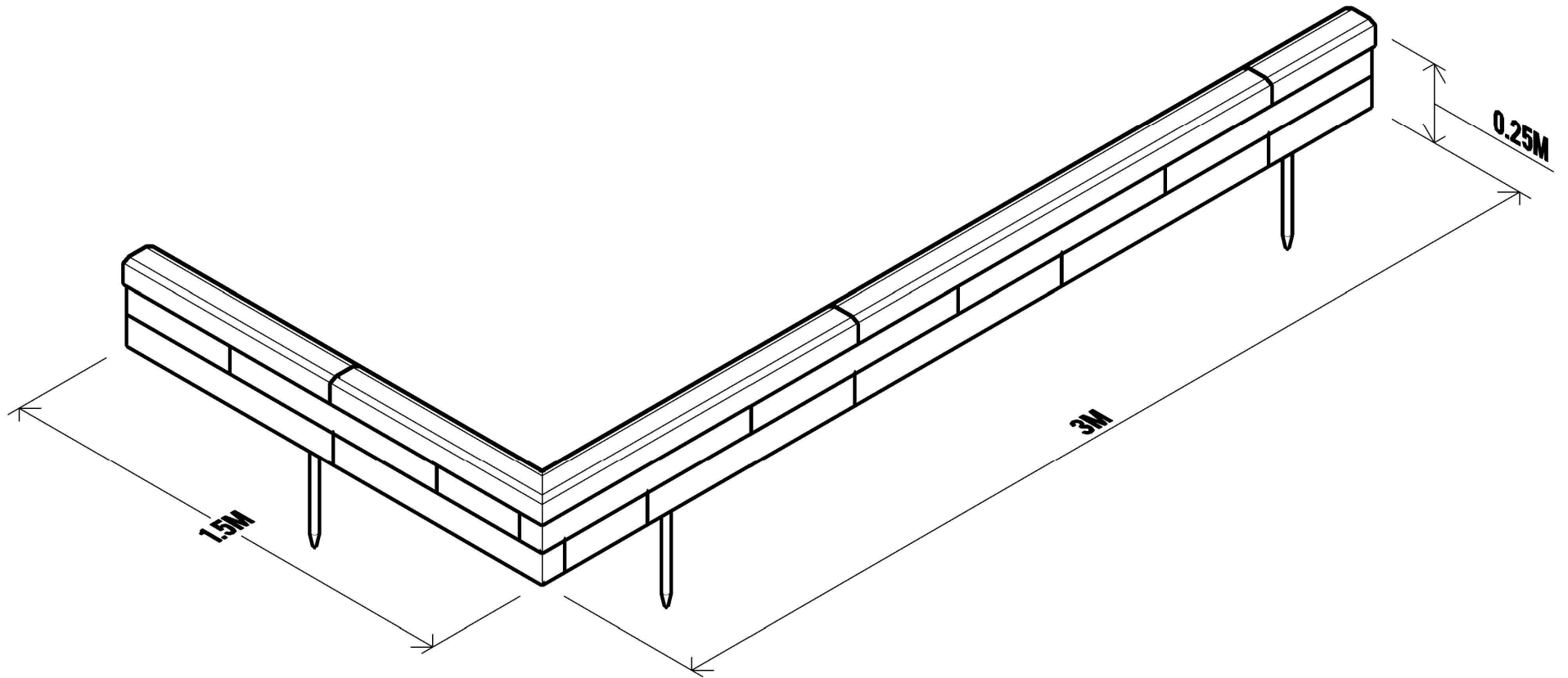


# WOOD BlocX

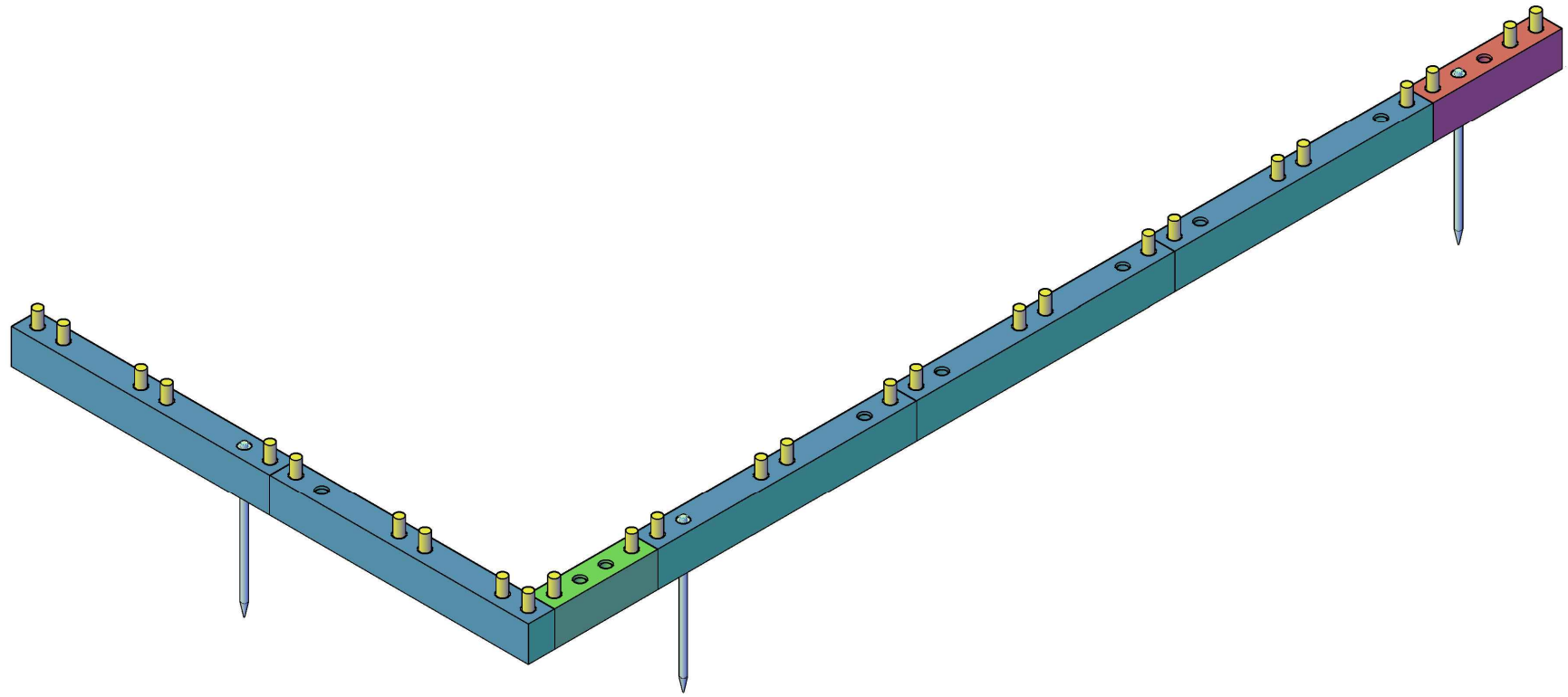


CUSTOMER NAME  
SKU00017

DRAWING TITLE  
COVER 3D

DESIGN VERSION  
1.0

# WOOD BlocX



---

CUSTOMER NAME  
SKU00017

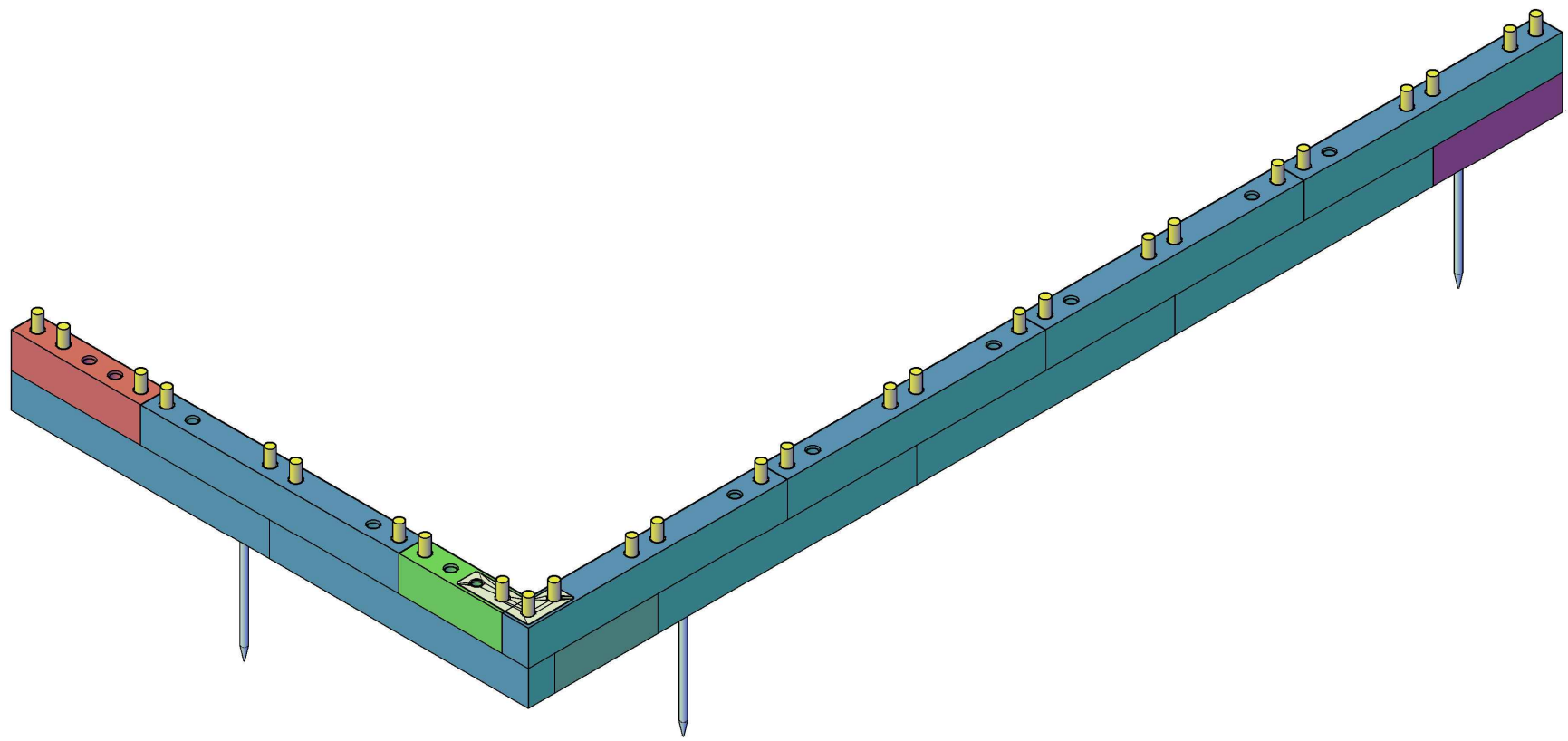
---

DRAWING TITLE  
LAYER01

---

DESIGN VERSION  
1.0

# WOOD BlocX



---

CUSTOMER NAME  
SKU00017

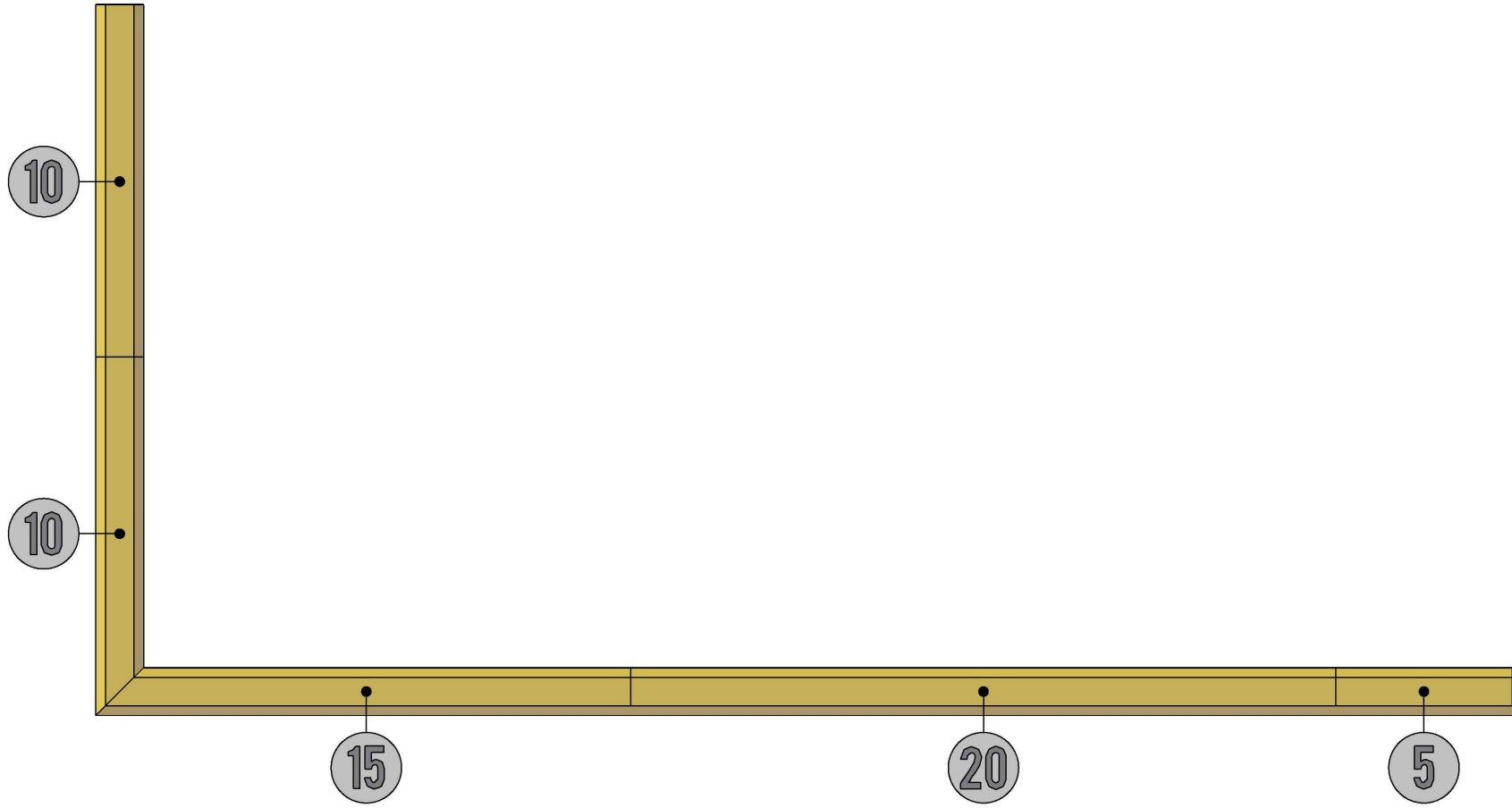
---

DRAWING TITLE  
LAYER02

---

DESIGN VERSION  
1.0

# WOOD BlocX



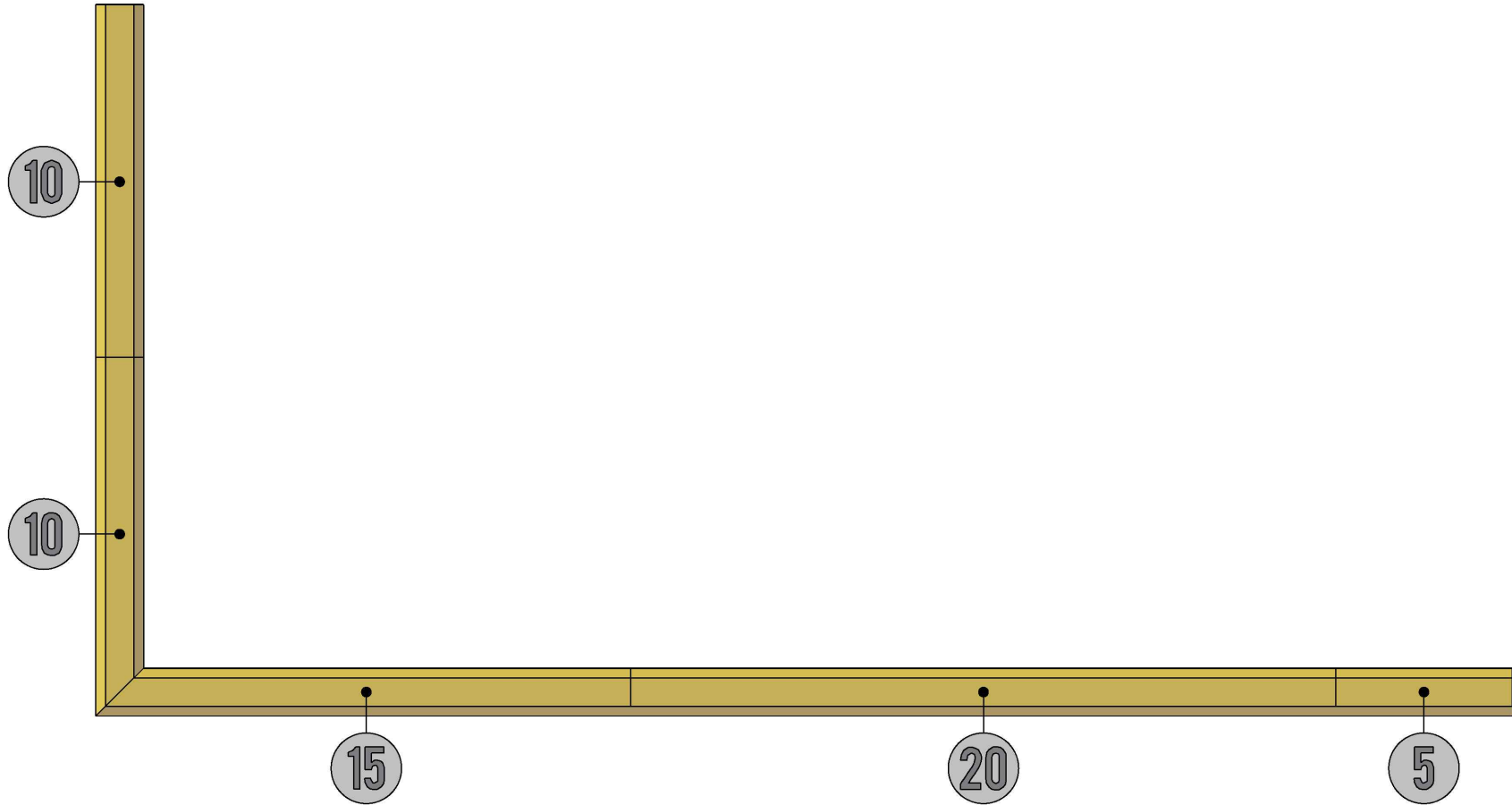
CUSTOMER NAME  
SKU00017

DRAWING TITLE  
CAPPINGPLAN

DESIGN VERSION  
1.0

\*NUMBERS REPRESENT NUMBER OF HOLES IN CAPPING

# WOOD BlocX



CUSTOMER NAME  
SKU00017

DRAWING TITLE  
CAPPINGPLAN2

DESIGN VERSION  
1.0

\*NUMBERS REPRESENT NUMBER OF HOLES INCAPPING